

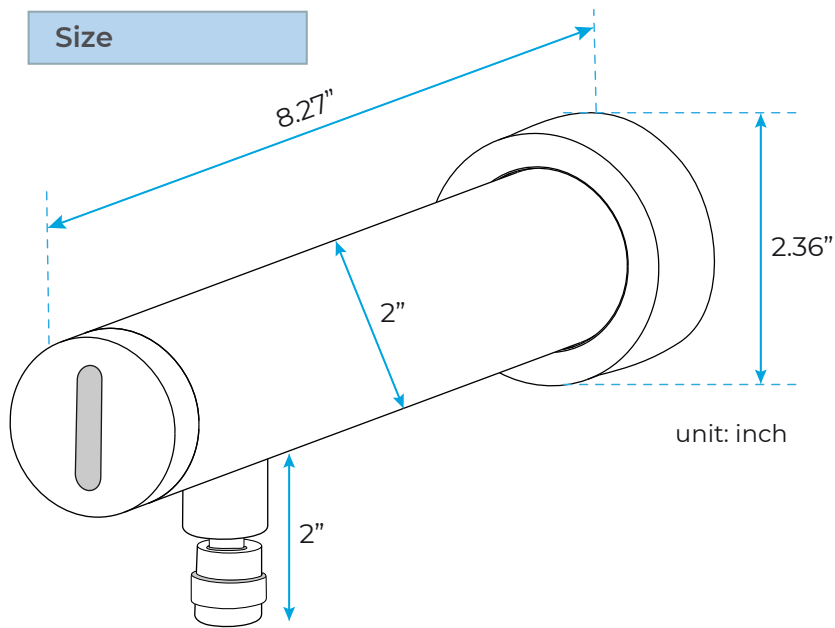
# BRUSHED NICKEL WALL MOUNT COMMERCIAL AUTOMATIC SENSOR FAUCET WITH INSIGHT INFRARED TECHNOLOGY SPECIFICATIONS

## Technical Information



Installation Type: Wall Mounted  
Installation Holes: One Hole  
Valve Type: Ceramic Valve  
Suitable water pressure: 0.3-1.2MPa  
Temperature of environment: 1-45 °C (cold & hot water)  
Power: AC/DC  
Dia of inlet/outlet pipe: G1/2"  
Inductive distance: 12-15 cm  
Flow Rate: 1.8 GPM (6.81 L/min)

## Size



## Overview

